

Fig.1 "Exploded" view of the Belt High temperature, High pressure apparatus.

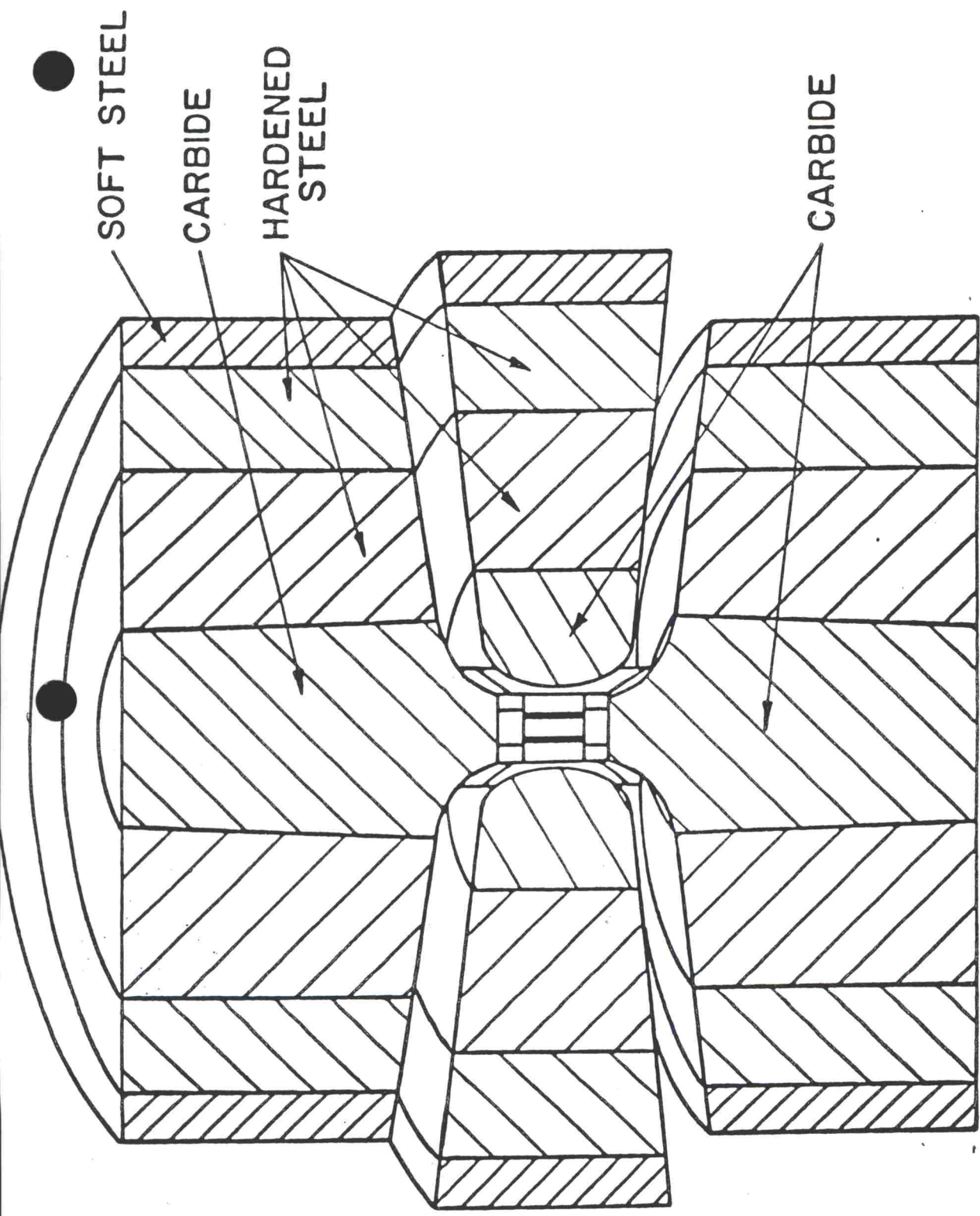
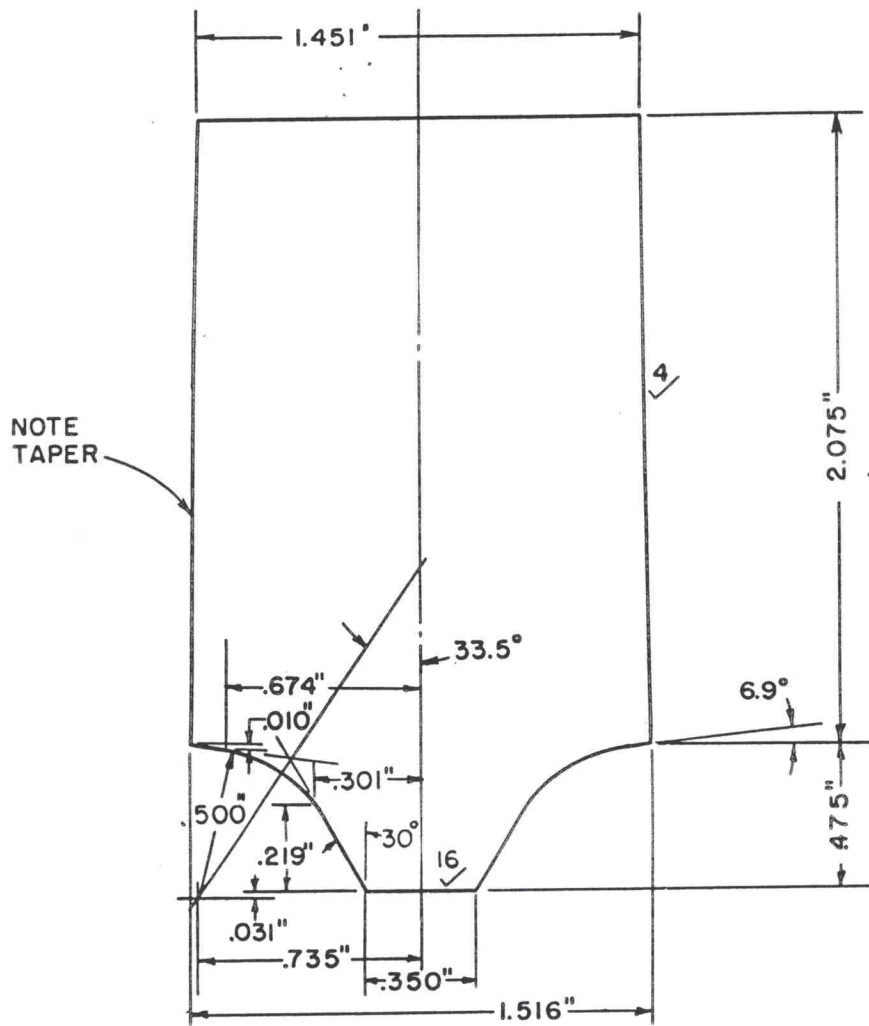


Fig.2 "Closed" view of the Belt High Temperature, High pressure apparatus



SEMI-PISTON
CARBOLOY 44A

Fig.3 Detail of the semi-piston, sometimes called the tapered piston or punch.

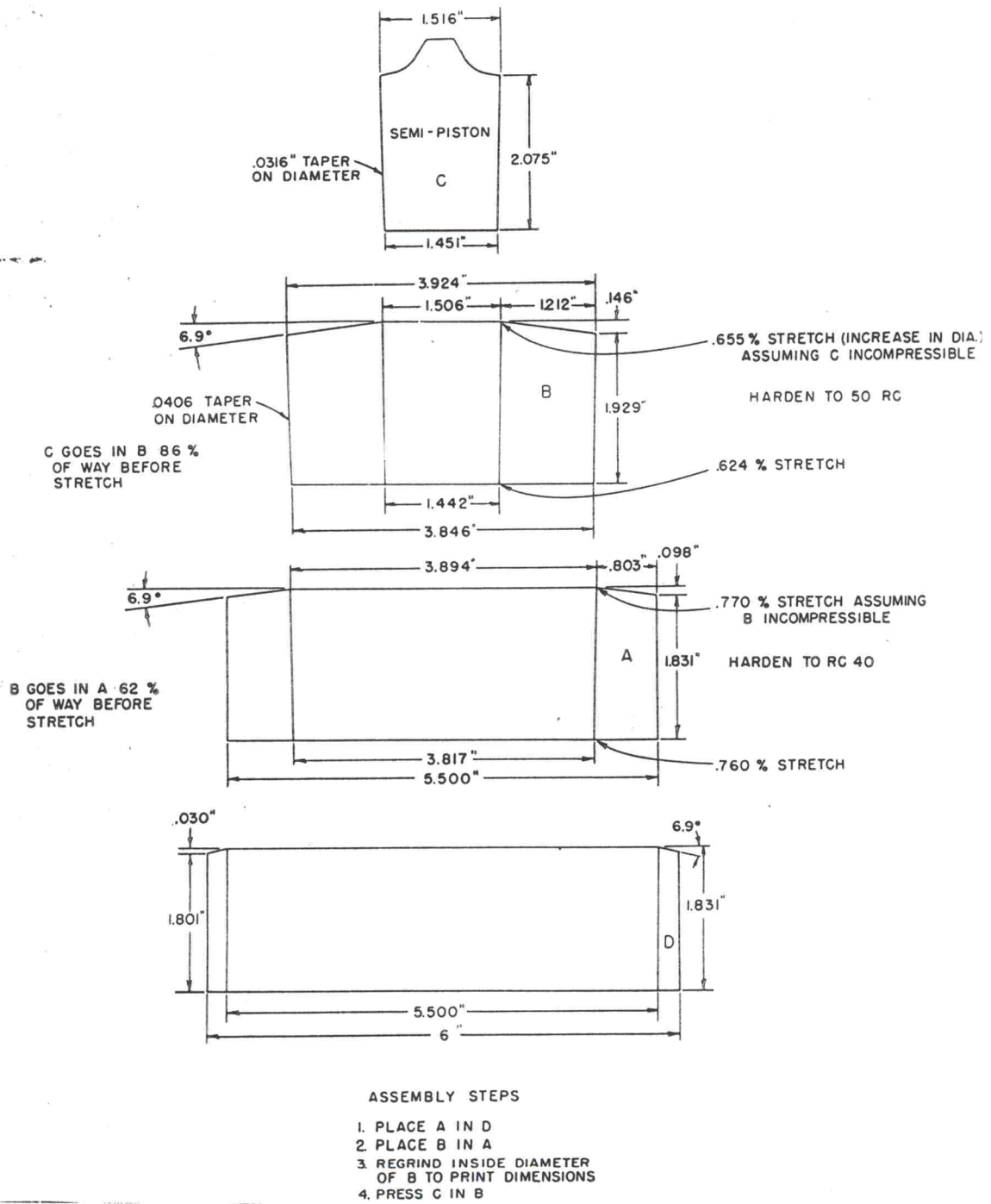
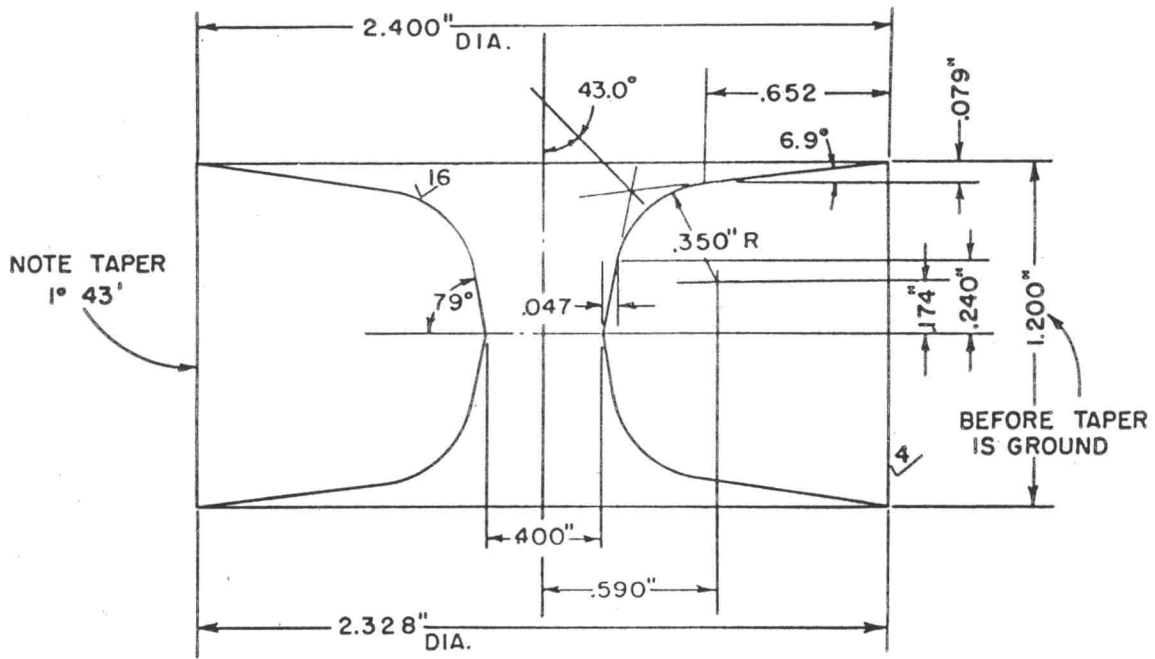


Fig.4 Detail and assembly steps for the binding rings that support the punch.



BELT
CARBOLOY 44 A

Fig.5 Details of the innermost toroidal carbide chamber.

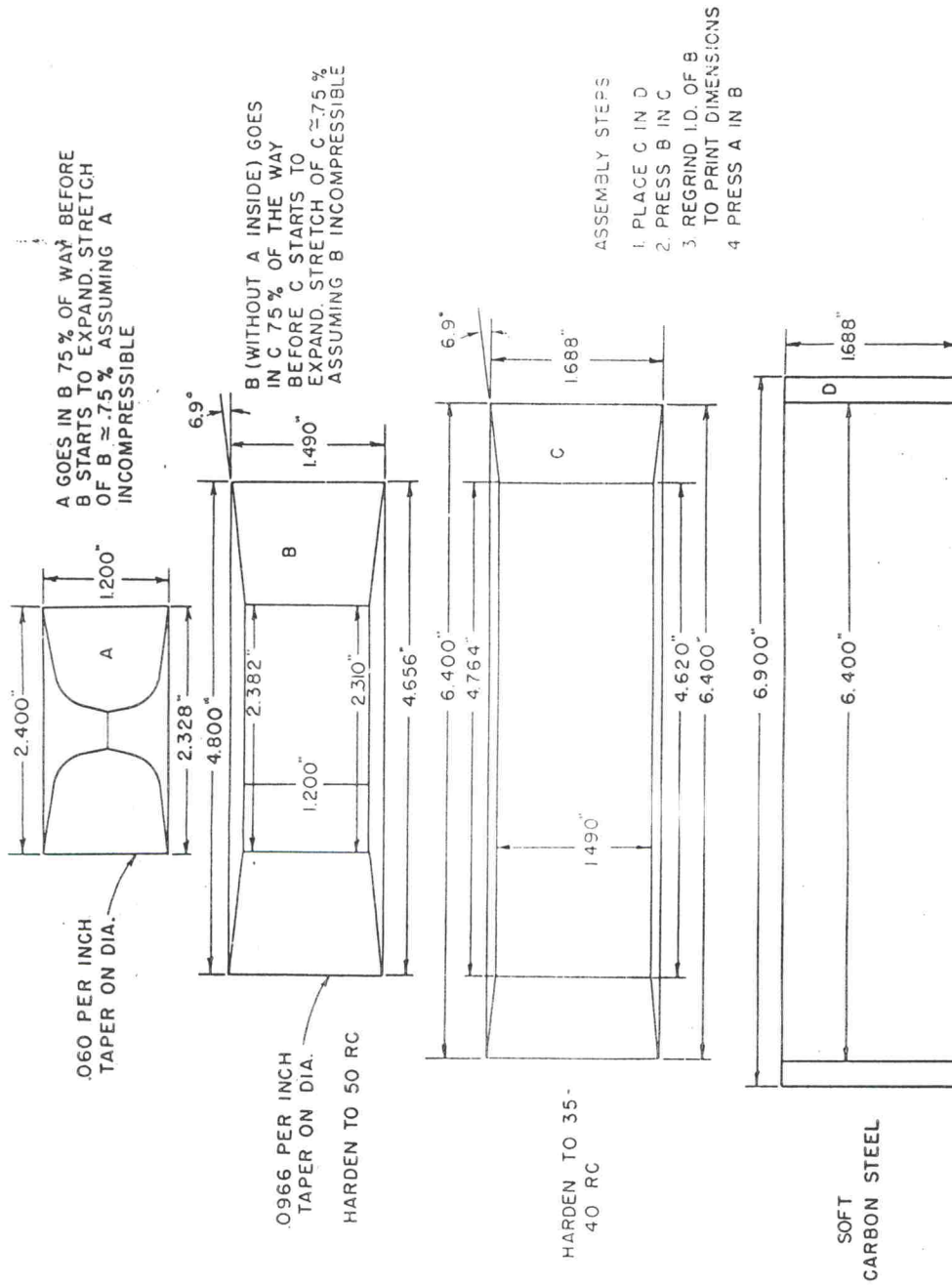


Fig.6 Details and assembly steps for the binding rings that support the chamber.

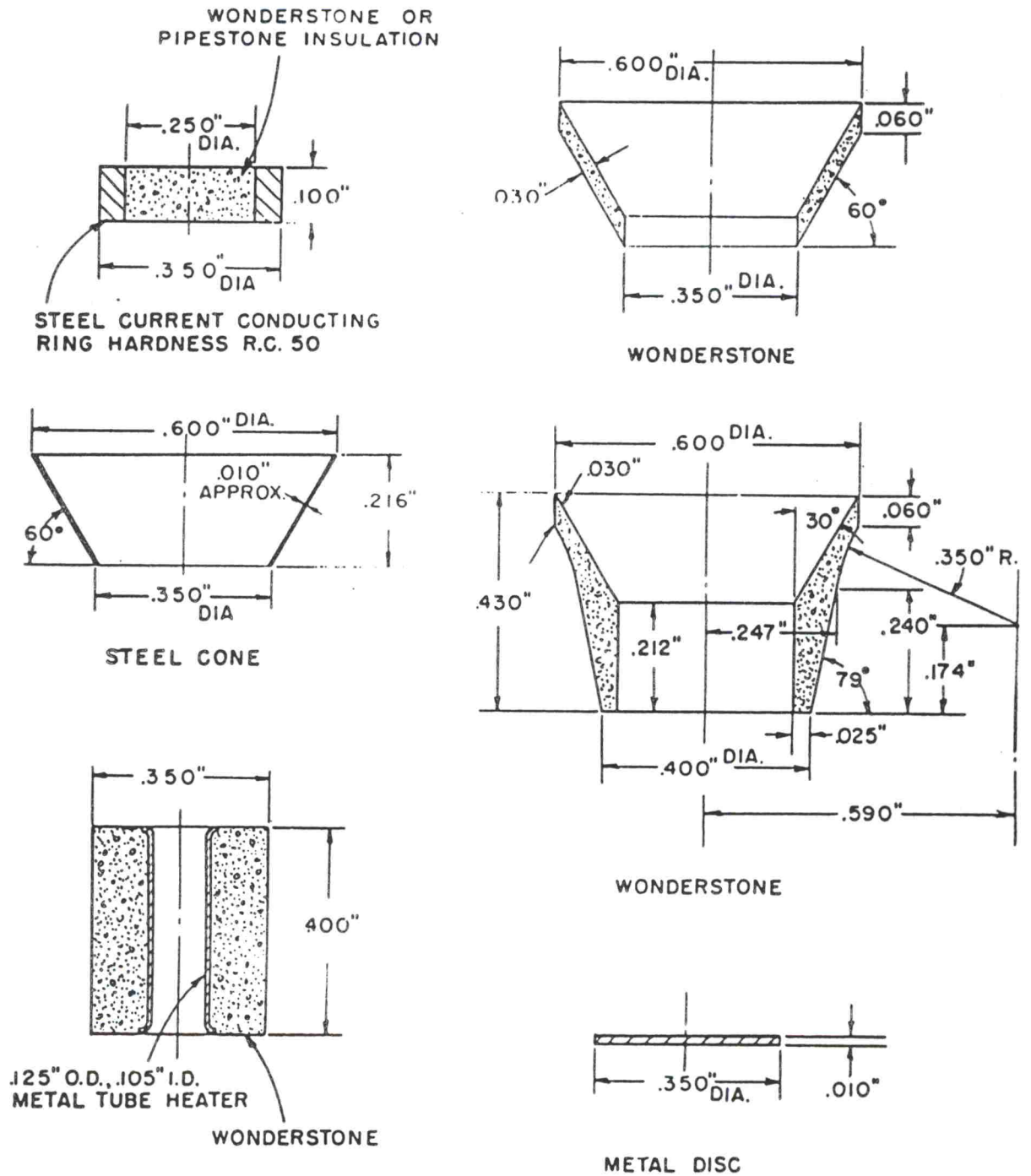


Fig.7 Details of the parts that fit together within the carbide chamber.

ALL DRAWINGS BY THE INVENTOR, H. TRACY HALL